

## MORSØ 2100 SERIES

The Morsø 2110 is a versatile stove that is sized to most average North American homes. Its aesthetic style is equally at home in both contemporary and traditional settings. With a firebox sized to give you up to 8 hours of burn time, the 2110 will keep you warm overnight. And it's clean line design offers excellent fireviewing to enjoy the romance of the fire. The clean burning, non-catalytic design gives you a simple, efficient and durable product to enjoy for many years to come.

The appeal of cast iron lies not only in its ability to absorb heat from the fire and releasing it slowly into your home long after the fire is out, but also in the aesthetically pleasing forms with which it can be shaped. Morsø craftsmen produce the finest cast iron wood stoves in the world. The name Morsø has been synonymous with quality since April 1853. In 1915 Morsø received the honor of being appointed to the Royal Danish Court. This prestigious appointment means that the products produced are held to the highest standards of quality and that the companies themselves have demonstrated exceptional business practices and ethics.

Morsø exports to most countries in Europe, as well as Japan, Australia, South Africa, Canada and the United States.



**Morsø 2110** Shown with optional Classic De luxe Tool Set, Morsø 2.0 liter Kettle, and Morsø Glass Hearth Pad.

**morsø**<sup>®</sup>

integrated design since 1853



**Morsø 2110**  
- Stove shown with optional short legs. Decreases height by 1.5".

**Morsø 2110**  
installed into a fireplace

## 2100 SERIES SPECIFICATIONS

Height standard legs .....	28" (A)
Height w/short legs .....	26.5" (A)
Width .....	23.8" (B)
Depth (leg to leg) .....	18.5" (C)
Flue Collar Height (Rear exit) .....	22" (C/L) (D)
<b>Measurement of stove</b>	
rear to centerline of top flue collar .....	5" (E)
Flue Collar Height (Top exit) .....	29.6" (F)
Flue Collar Size .....	6"
Btu's Max. ....	42,000
Burn Time .....	8 Hours
Avg. Area Heated .....	800 - 1400 sq. ft.
Log Length .....	18.5"
EPA Grams per Hr. ....	4.5

## 2100 CLEARANCES

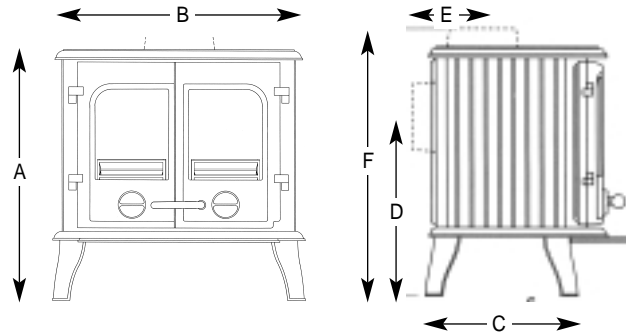
Unprotected Surfaces	Rear	Side	Corner
Single Wall Connector:	20"	22"	16"
Double Wall Connector:	16"	20"	14"

Protected Surfaces	Rear	Side	Corner
Single Wall Connector:	12"	12"	12"
Double Wall Connector:	12"	12"	12"

### Fireplace Installation\*:

Top Plate to Mantel (10" mantel depth):	31"
Top Plate to Top Trim (1.5" trim depth):	27"
Top Plate to Side Trim:	18"
Top Plate to Adjacent Side Wall:	19"

\*Proper shielding can reduce these clearance up to 50% as per NFPA 211



Please consult your local stove dealer for details on the full line of Morsø products and accessories

## MORSØ 2100 SERIES - FEATURES AND BENEFITS

- 148 years of cast iron experience means top quality castings that sets the industry standard
- Non catalytic clean burn technology which has passed strict EPA emissions test for more complete combustion and high heat output
- Both rear and bottom heat shields for reduced clearances and better heat convection are standard
- Excellent clearances
- Reversible flue collar for either top or rear venting give added installation flexibility
- Superior air wash system keeps the glass clean for unparalleled fire viewing
- Single air control for ease of operation
- Beautiful, high quality detachable stainless steel handle
- Rugged ash pan made of heavy gauge steel
- Gasketed cast iron stove plates provide tight seals that require less maintenance through years of operation
- Chromium treated internal castings give added strength and durability
- 10 years limited warranty

### Options:

- Short leg option
- Outside air kit

