

MORSØ 7110

The Morsø 7110 has a very large glass panel without any interfering bars and a superior air wash system to keep the glass clean for an unobstructed view of the fire.

The Morsø 7110 is designed with Scandinavian simplicity, sharp edges and straight lines combined with more classical American elements such as the horizontal design and distinct profiles in the top and bottom plates. Whether you have a contemporary-designed home or a classical one, Morsø 7110 will seamlessly blend in and make your home cozy and warm.

The stove is designed with one door for ease of loading and also has a separate door for ash pan removal. Constructed to use pre-heated primary as well as secondary air to ensure the cleanest burn possible, the Morsø 7110 also comes with single air control for ease of operation, standard rear and bottom heat shields, as well as standard heavy duty ash pan.

On the side of the Morsø 7110 is engraved a symbol from the Viking era. In Scandinavia the symbol is known as »Saint Johannes Shield«, and it was believed to offer the household protection from all evil. The symbol appears on numerous finds from around 1000 AD, such as the Runic Stones in Jelling that was erected around 960 AD and refers to King Harald Bluetooth as the king who turned the Danes to Christianity.

In 1915 the Danish King Christian X designates Morsø "Purveyors to the Royal Danish Court". This prestigious designation means that Morsø products are held to the highest standards of quality and that the company has demonstrated exceptional business practices and ethics.



morsø

integrated design since 1853

Morsø 7110 shown with Morsø Classic Toolset,
Glass Hearth Pad, and Firewood Bucket

MORSØ 7110 SPECIFICATIONS

Height	26.7"(A)
Width	22.6"(B)
Depth (leg to leg)	22.8"(C)
Flue Collar Height (Rear exit)	21.3(C/L) (D)
Measurement of stove	
rear to centerline of top flue collar (3410)	7.8"(E)
Flue Collar Height (Top exit)	27.3"(F)
Flue Collar Size	6"
Btu's Max	38,000
Burn Time	8 Hours
Avg. Area Heated	1,300 sq. ft.
Log Length	16.5"
EPA Grams per Hr.	3.8



MORSØ 7110 CLEARANCES

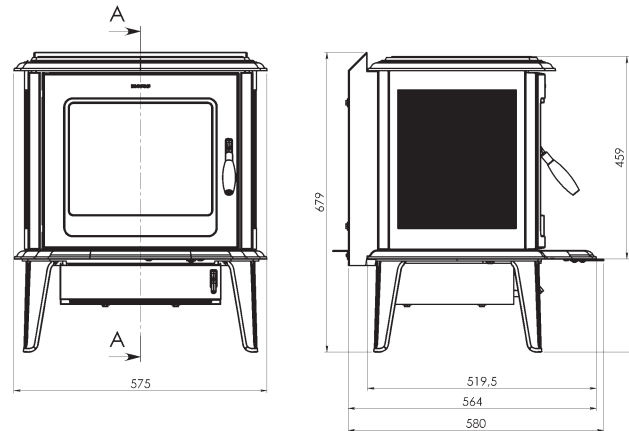
Single or Double Wall Chimney Connector:

Stove to Rear Wall:	6.5"
Stove to Side Wall:	16.0"
Stove to Corner Wall:	8.5"

Alcove Installation:

Stove to Rear Wall:	9.5"
Stove to Side Wall:	19.0"
Stove to Alcove Ceiling:	20.0"

the Morsø 7110 is EPA-approved for use in the United States including Washington and for installation in alcove and mobile homes.



Please consult your local stove dealer for details on the full line of Morsø products and accessories



Morsø reserves the right to change specifications without notice

MORSØ 7110 - FEATURES AND BENEFITS

- More than 150 years of cast iron experience means top quality castings that sets the industry standard
- Non catalytic clean burn technology, which has passed strict EPA emissions tests for more complete combustion and high heat output
- Standard rear and bottom heat shields for reduced clearances and better heat convection
- Reversible flue collar for either top or rear venting gives added installation flexibility
- Superior air wash system keeps the glass clean for unparalleled fire viewing
- Single air control for ease of operation
- Rugged ash pan made of heavy gauge steel for convenient ash removal
- Internal cleaning of the stove can be performed with ease through the door and does not require the disassembling of the stove or flue connection.
- Gasketed cast iron stove plates provide tight seals that require less maintenance through years of operation
- Chromium treated internal castings give added strength and durability
- Outside air kit available
- 10 year limited warranty

morsø

integrated design since 1853